

# DSM Embedded System

## NanoServer® E2



### Technical Specifications

#### DSM Embedded Controller

- up to 1 GB DDR RAM, PC200/266/333, 0 MB equipped
- Intel® Extreme Graphics 2 VGA Controller with 64 MB shared memory, MPEG2-Decoder, max. resolution 1600 x 1200 @ 85 Hz
- Controller with 2 IDE ports (4 x EIDE devices)
- opt. Disk-on-Module oder Compact Flash
- DVI-I and VGA connector
- Intel® ICH4 Audio Controller, AC'97
- two serial port, one parallel port
- 2 x USB 2.0, PS/2 Port (2x)
- 1 x Mini-PCI slot (internal), Typ IIIA
- opt. Wireless LAN 802.11b/g

#### Solid high-quality Case

- Case in all RAL and NCS color available
- On request also with your corporate logo
- incl. mounting rails
- Control LEDs
- Power supply: - ext. 60 Watt power supply, 100-240 Volt AC  
- direct 12 Volt DC, 60 Watt
- Dimensions WxDxH: 206 x 220 x 110 mm
- Drive bay for one 2.5" HDD, Ultra DMA/33/66/100
- Floppy through USB 2.0 ext. possible
- Optional slimline DVD or CD-ROM Drive

Opt. 1 free PCI expansion slot



Rear view 96M1555C / 96M1555CL



Rear view 96M1555

**Opt. 1 x PCI expansion slot for half-size cards**  
**1 year Warranty, 48-hour Burn-In, CE Certification**

#### 96M1555C DSM Embedded System "NanoServer® E2"

- Intel® Celeron® M 1.3 GHz with cooler fan
- with Intel® 852GM Chipset, 400 MHz FSB
- Intel® Chipset integrated **LAN**, 10/100 Base-T/TX
- one 4 cm system cooler fan
- **Operating Temperatures: 0° - 50°C**

#### 96M1555CL DSM Embedded System "NanoServer® E2"

- Intel® Celeron® M 600 MHz, **Fanless**
- with Intel® 852GM Chipset, 400 MHz FSB
- Intel® Chipset integrated **LAN**, 10/100 Base-T/TX
- **Operating Temperatures: 0° - 45°C**

#### 96M1555 DSM Embedded System "NanoServer® E2"

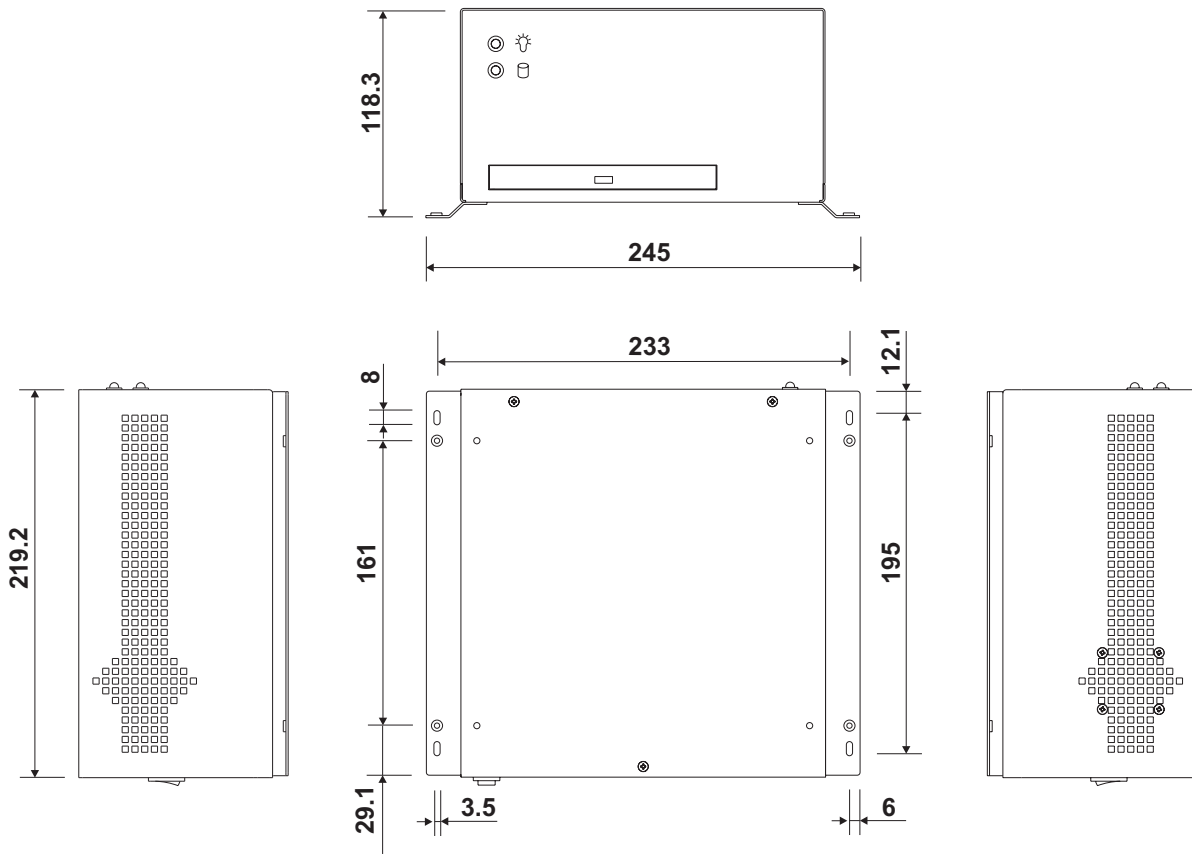
- Intel® Pentium® M 1.8 GHz with cooler fan
- with Intel® 855GME Chipset, 400 MHz FSB
- Intel® 82541GI **Gigabit LAN**, 10/100/1000 Base-T/TX
- IEEE 1394 TI TSB43LV22 2 Port **FireWire**
- one 4 cm system cooler fan
- **Operating Temperatures: 0° - 50°C**

**Custom configurations/processors on request !**

**DSM**  
**Computer**

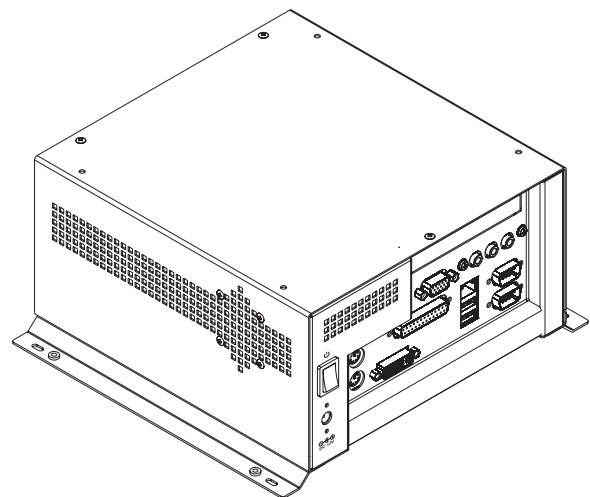
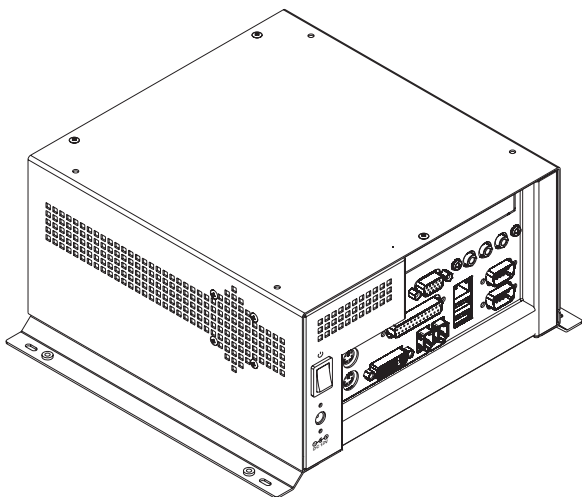
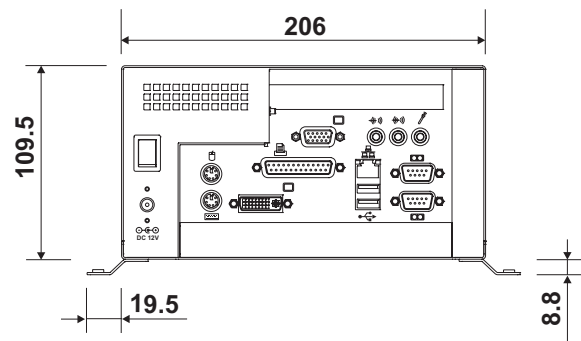
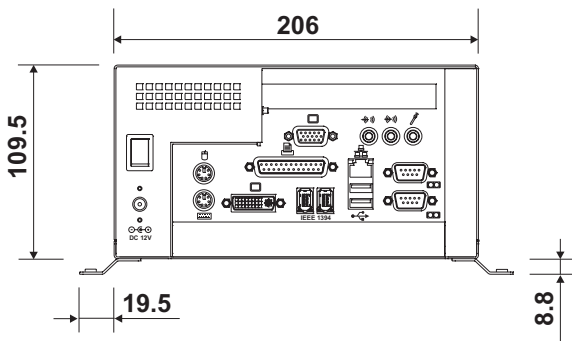
**DSM Computer AG**  
Am Loferfeld 54  
81249 Munich, Germany  
Tel.: +49 (0)89-15798-250  
Fax: +49 (0)89-15798-196  
www.DSM.AG  
info@DSM.AG

# DSM Embedded System



**Layout for 96M1555**

**Layout for 96M1555C/CL**



Published: February 2006. Subject to change without prior notice